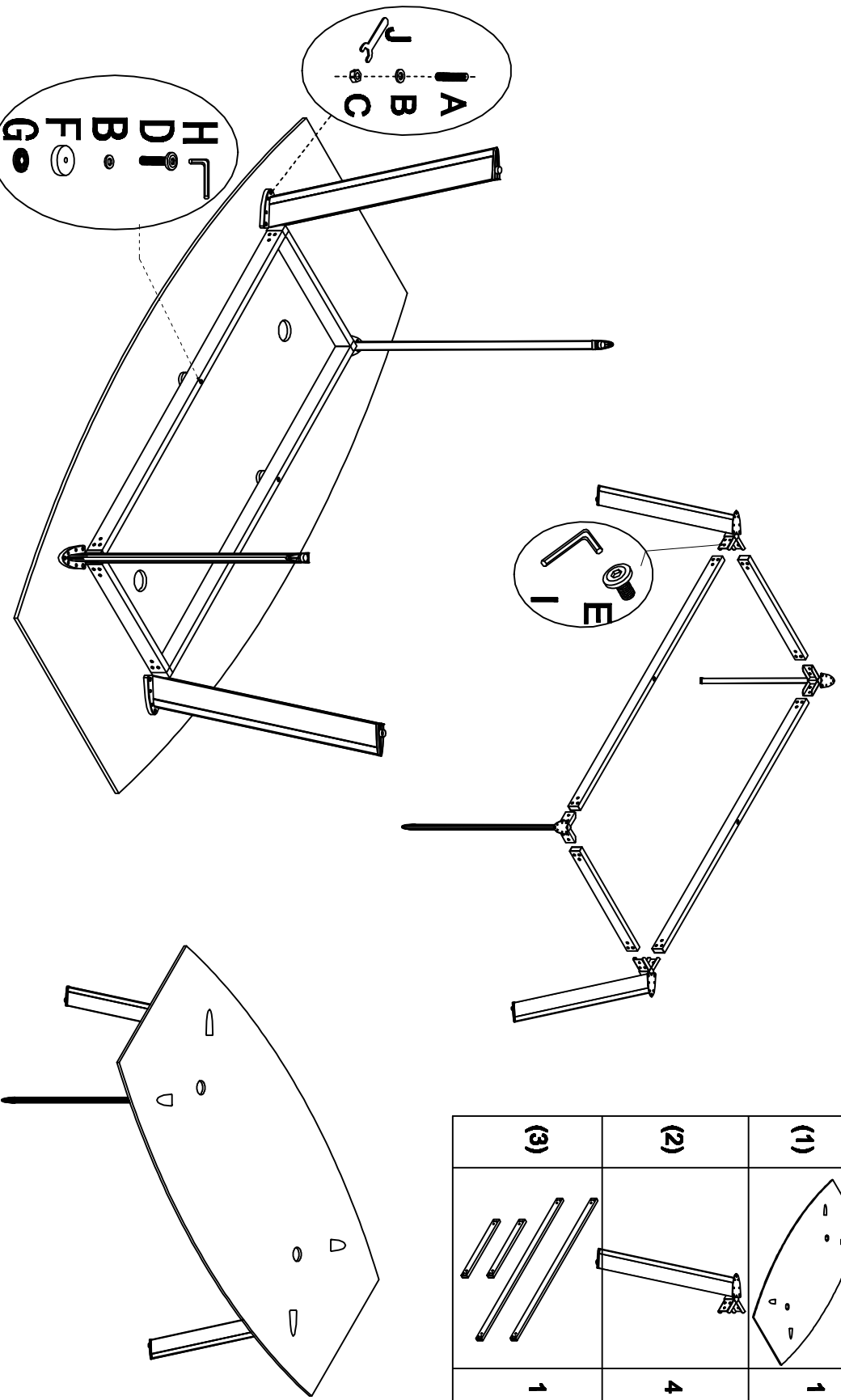


ASSEMBLE INSTRUCTION

No.	PARTS LIST	QTY
(1)		1
(2)		4
(3)		1



No.	A	B	C	D	E	F	G	H	I	J
PARTS LIST	M6x20	6-20	M6	M6*55	M8*12	Ø30x12	Ø25	4'	5'	M8
QTY	12	14	12	2	24	2	2	1	1	1