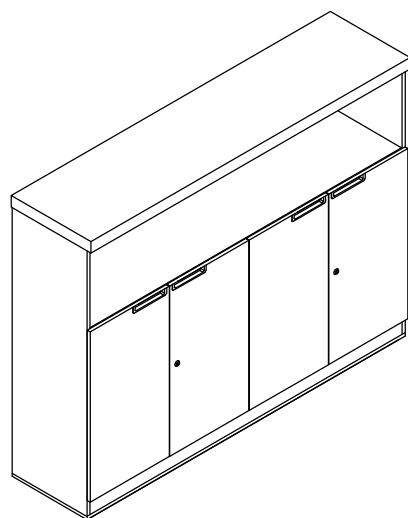
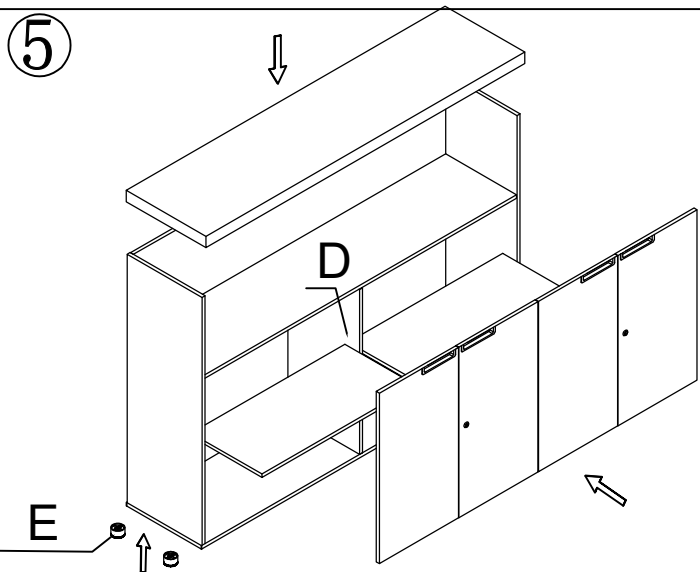
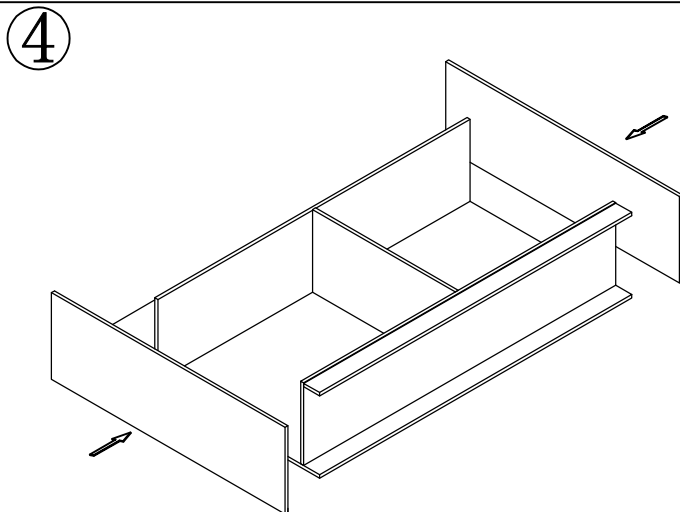
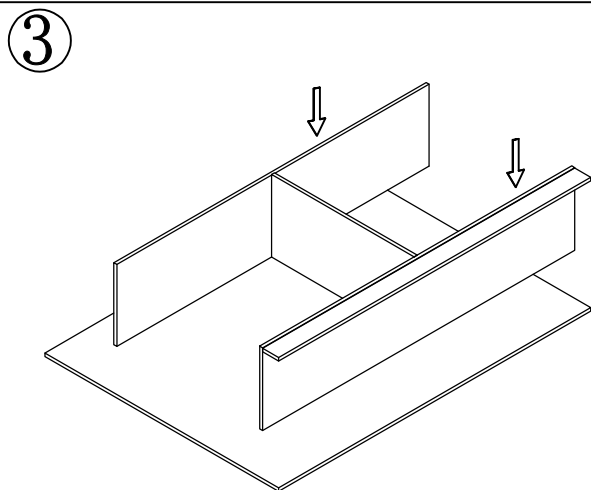
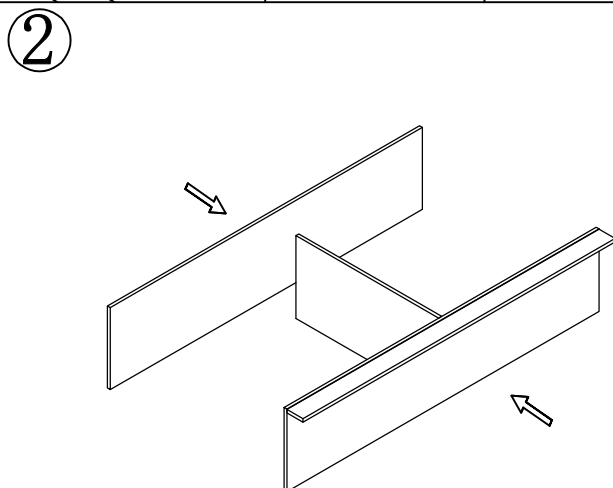
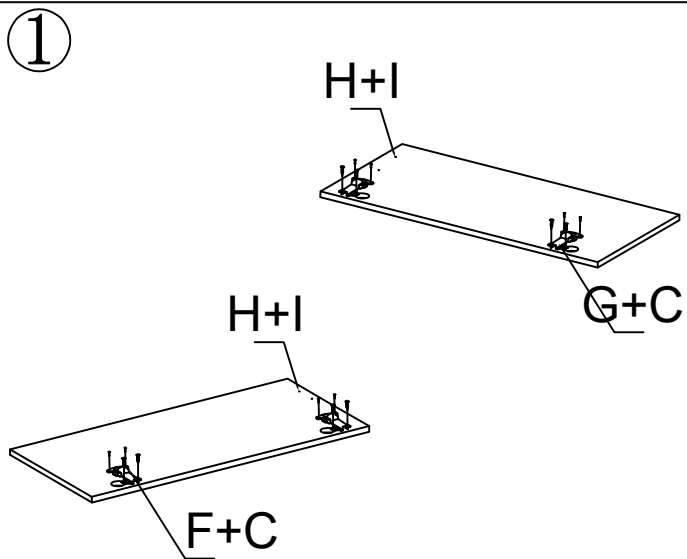
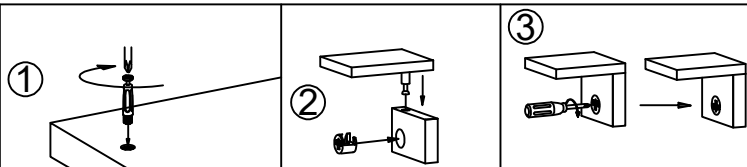


ASSEMBLE INSTRUCTION



No.	A	B	C	D	E	F	G	H	I	J
Parts List			 M3.5x14							
QTY	26	26	50	8	6	4	4	2	2	2