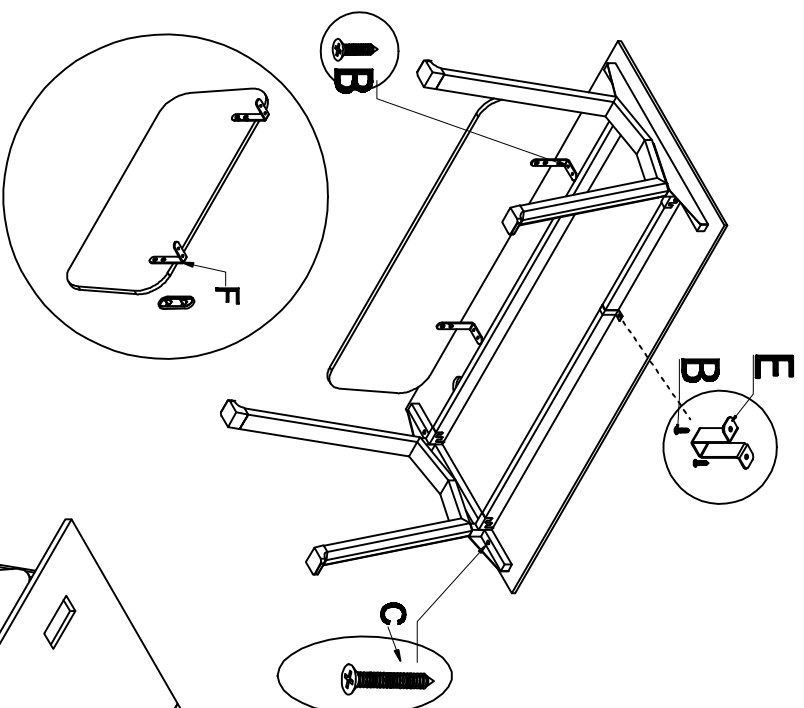
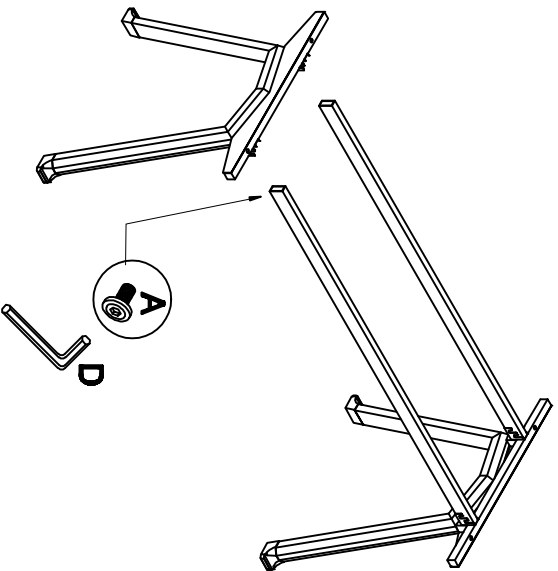
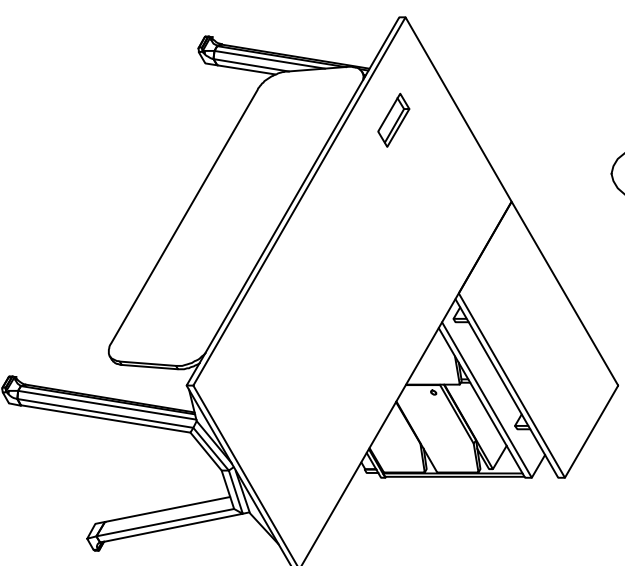


ASSEMBLE INSTRUCTION



No.	PARTS LIST	QTY
(1)		1
(2)		1
(3)		1



No.	A	B	C	D	E	F
PARTS LIST						
QTY	4	8	4	1	2	2