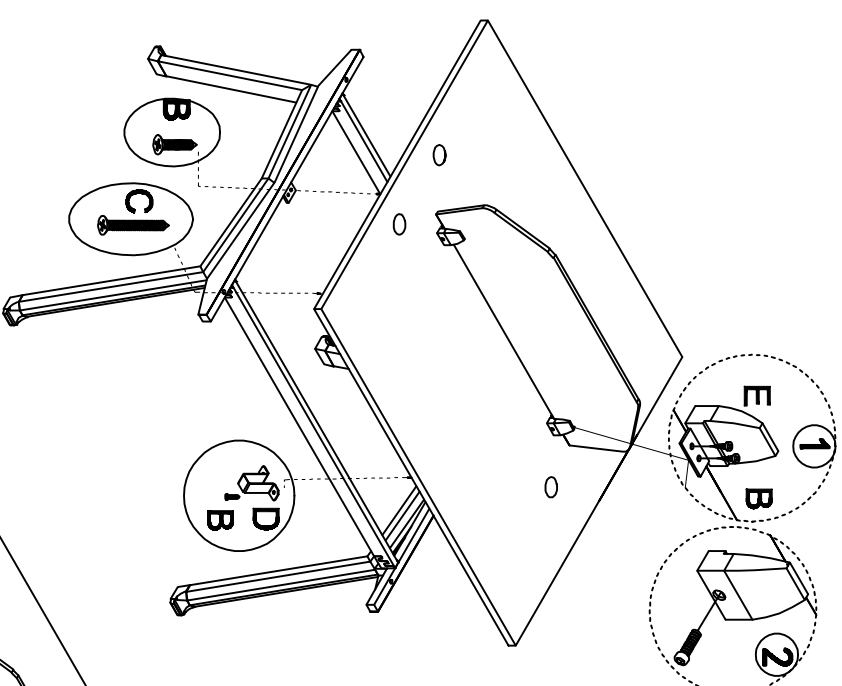
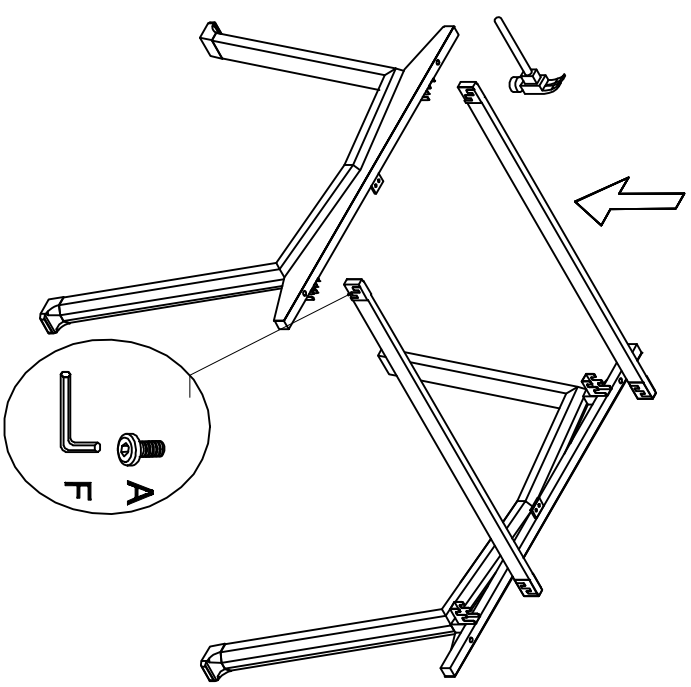


# ASSEMBLE INSTRUCTION



No.	PARTS LIST	QTY
(1)		1
(2)		2
(3)		2

No.	A	B	C	D	E	F	G
PARTS LIST							
	M6*10	MAX20	MAX45			4'	5'
	4	8	4	2	2	1	1
	QTY						

