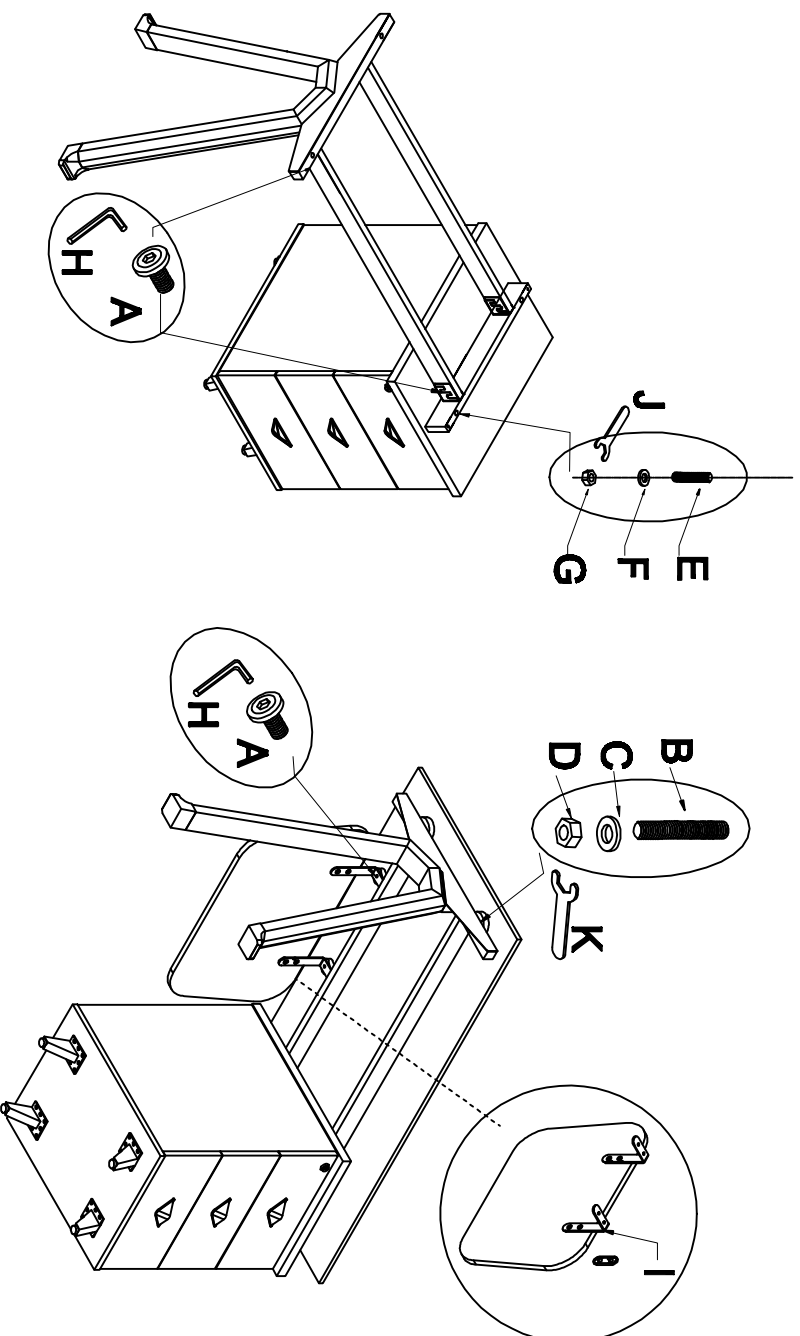
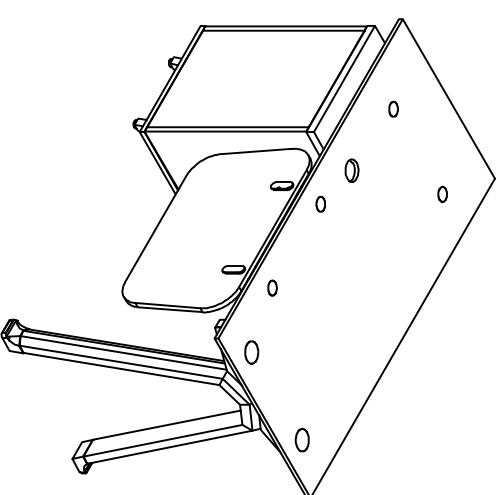


ASSEMBLE INSTRUCTION



No.	PARTS LIST	QTY
(1)		1
(2)		1
(3)		1
(4)		1



No.	A	B	C	D	E	F	G	H	I	J	K
PARTS LIST											
QTY	6	2	2	2	2	2	2	1	2	1	1