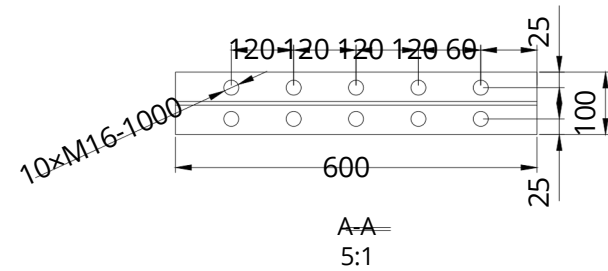
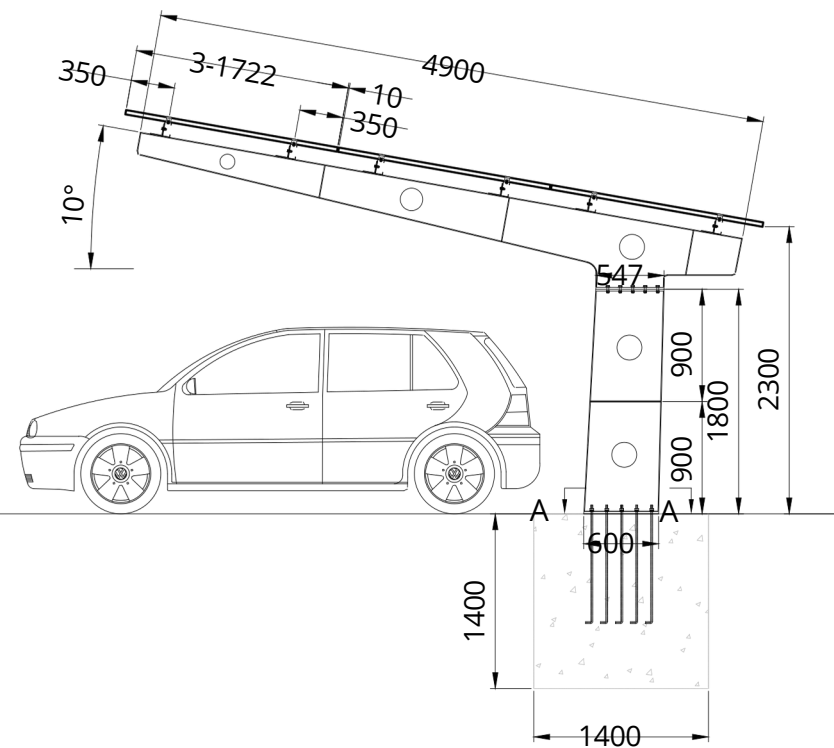
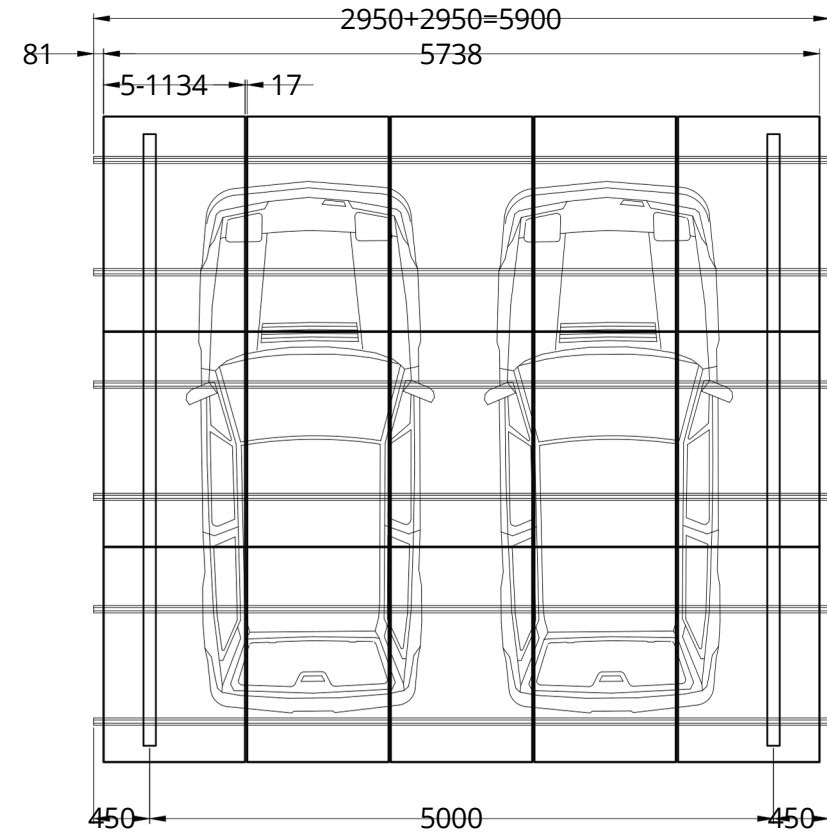
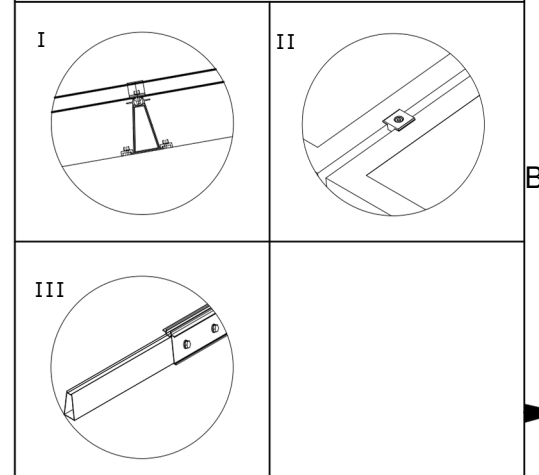


3x5x1

A  
B  
C  
D



|                   |                |              |                  |
|-------------------|----------------|--------------|------------------|
| Project Name      |                |              |                  |
| Project Number    | EPR-2309004    |              |                  |
| Design Standard   | A              |              |                  |
| Design Conditions | Panel Size     | 1722*1134*30 |                  |
|                   | Panel Capacity | Snow Load    | 60CM             |
|                   | Design Angle   | 10°          | Wind Speed 30M/S |



|           |     |         |        |    |
|-----------|-----|---------|--------|----|
| Designed  |     |         | Chk'D  |    |
| Proofread |     |         | Appv'D |    |
| Scale     | 1:1 | View    |        |    |
| Page      | 2   | Version | V1.0   | A3 |

1 2 3 4 5 6